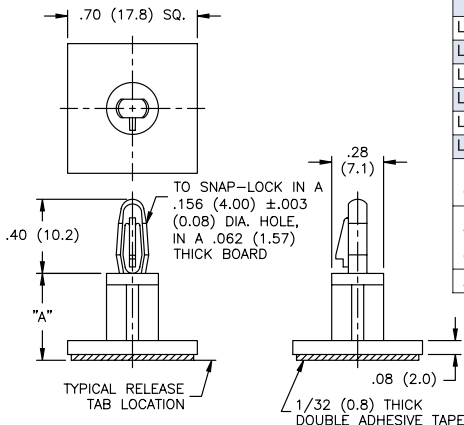
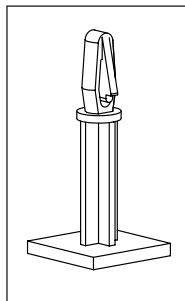


CIRCUIT BOARD HARDWARE

LCBSB

Locking Circuit Board Support on Base



Material: Nylon 6/6, RMS-01
Color: Blue

Part Number	Standard Pack: 1,000 per bag
	"A" ± 0.4mm
LCBSB-6M-01A-RT	6.0mm
LCBSB-8M-01A-RT	8.0mm
LCBSB-10M-01A-RT	10.0mm
LCBSB-12M-01A-RT	12.0mm
LCBSB-14M-01A-RT	14.0mm
LCBSB-16M-01A-RT	16.0mm

Part available in V-0 material by special order. To order, replace -01 with -19.

Part also available without adhesive. To order, remove A-RT. For new "A" dimension subtract 1/32" (0.8mm).

Adhesive Backing, RMS-15

Material: Nylon 6/6, RMS-01
Color: Natural

Part Number	Standard Pack: 1,000 per bag
	"A" ± .015 (0.4)
LCBSB-3-01A-RT	3/16 (4.8)
LCBSB-4-01A-RT	1/4 (6.4)
LCBSB-6-01A-RT	3/8 (9.5)
LCBSB-8-01A-RT	1/2 (12.7)
LCBSB-10-01A-RT	5/8 (15.9)
LCBSB-12-01A-RT	3/4 (19.1)
LCBSB-14-01A-RT	7/8 (22.2)
LCBSB-16-01A-RT	1 (25.4)
LCBSB-18-01A-RT	1-1/8 (28.6)

Part available in V-0 material by special order. To order, replace -01 with -19.

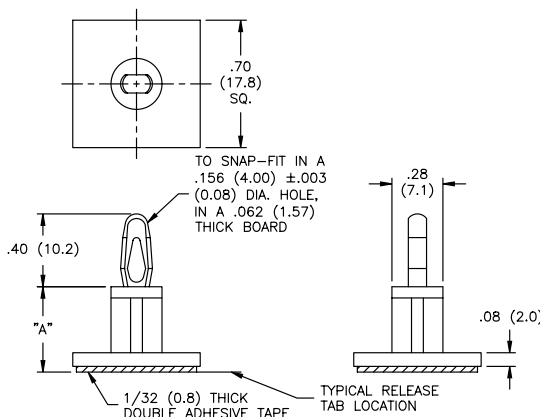
Part also available without adhesive. To order, remove A-RT. For new "A" dimension subtract 1/32" (0.8 mm).

Adhesive Backing, RMS-15

SCBSB-XX-01A-RT with .30" long, #6-32 threaded stud top available by special order. Use part number HN#6-32-01 as a mating nut. SCBSB available in V-0 material by special order. To order, replace -01 with -19.

CBSB

Circuit Board Support on Base



Material: Nylon 6/6, RMS-01
Color: Natural

Part Number	Standard Pack: 1,000 per bag
	"A" ± .015 (0.4)
CBSB-3-01A-RT	3/16 (4.8)
CBSB-4-01A-RT	1/4 (6.4)
CBSB-6-01A-RT	3/8 (9.5)
CBSB-8-01A-RT	1/2 (12.7)
CBSB-10-01A-RT	5/8 (15.9)
CBSB-12-01A-RT	3/4 (19.1)
CBSB-14-01A-RT	7/8 (22.2)
CBSB-16-01A-RT	1 (25.4)
CBSB-18-01A-RT	1-1/8 (28.6)

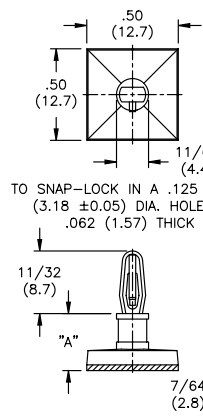
Part available in V-0 material by special order. To order, replace -01 with -19.

Part also available without adhesive. To order, remove A-RT. For new "A" dimension subtract 1/32" (0.8 mm).

Adhesive Backing, RMS-15

LCBSBM

Locking Circuit Board Support on Base, Mini



Material: Nylon 6/6, RMS-01
Color: Natural

Part Number	Standard Pack: 1,000 per bag
	"A" ± .015 (0.4)
LCBSBM-3-01A-RT	3/16 (4.8)
LCBSBM-4-01A-RT	1/4 (6.4)
LCBSBM-5-01A-RT	5/16 (7.9)
LCBSBM-6-01A-RT	3/8 (9.5)
LCBSBM-7-01A-RT	7/16 (11.1)
LCBSBM-8-01A-RT	1/2 (12.7)
LCBSBM-9-01A-RT	9/16 (14.3)
LCBSBM-10-01A-RT	5/8 (15.9)

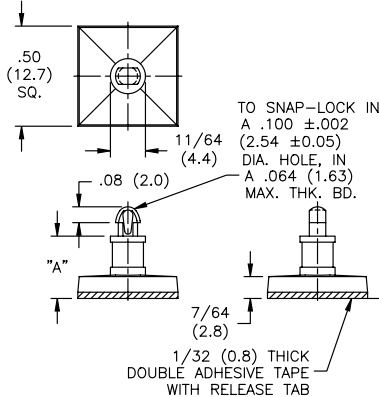
Part available in V-0 material by special order, to order, replace -01 with -19

Part also available without adhesive. To order, remove A-RT. For new "A" dimension subtract 1/32" (0.8mm).

Adhesive Backing, RMS-15

CBSBT

Circuit Board Support on Base, Teardrop



Material: Nylon 6/6, RMS-01
Color: Natural

Part No.	Standard Pack: 1000 per bag
	"A" ± .015 (0.4)
CBSBT-3-01A-RT	3/16 (4.8)
CBSBT-4-01A-RT	1/4 (6.4)
CBSBT-5-01A-RT	5/16 (7.9)
CBSBT-6-01A-RT	3/8 (9.5)
CBSBT-7-01A-RT	7/16 (11.1)
CBSBT-8-01A-RT	1/2 (12.7)
CBSBT-9-01A-RT	9/16 (14.3)
CBSBT-10-01A-RT	5/8 (15.9)

Part available in V-0 material by special order. To order, replace -01 with -19.

Adhesive Backing, RMS-15

Part also available without adhesive. To order, remove A-RT. For new "A" dimension subtract 1/32" (0.8mm)

CCBSBT-XX-01A-RT with Cupped, Teardrop-style top available by special order. CCBSBT available in V-0 material by special order. To order, replace -01 with -19.